

GENERAL INFORMATION

Project Name: _____
Item: _____
Quantity: _____
Model: DECO-333-N
Length: _____

STANDARD NSF LISTED FINISH OPTIONS

- | | |
|---|--|
| <input type="checkbox"/> Stainless Steel #4 | <input type="checkbox"/> Chrome |
| <input type="checkbox"/> Gloss Black | <input type="checkbox"/> Wrinkle Black |
| <input type="checkbox"/> Smoked Copper | <input type="checkbox"/> Polished Brass Finish |
| <input type="checkbox"/> Other _____ | |

TUBE OPTIONS

- | |
|---|
| <input type="checkbox"/> 1"x2" Rectangle (standard) |
| <input type="checkbox"/> 1" Square <input type="checkbox"/> 1-1/2" Square |

GLASS THICKNESS

- 1/4" Tempered Glass (not for shelves) Centerline Max 54"
- 3/8" Tempered Glass (standard) (for shelf or span more than 54") Centerline Max 66"
- 1/2" Tempered Glass (for shelf or span more than 66") Centerline Max 72"

TOP SHELF OPTIONS

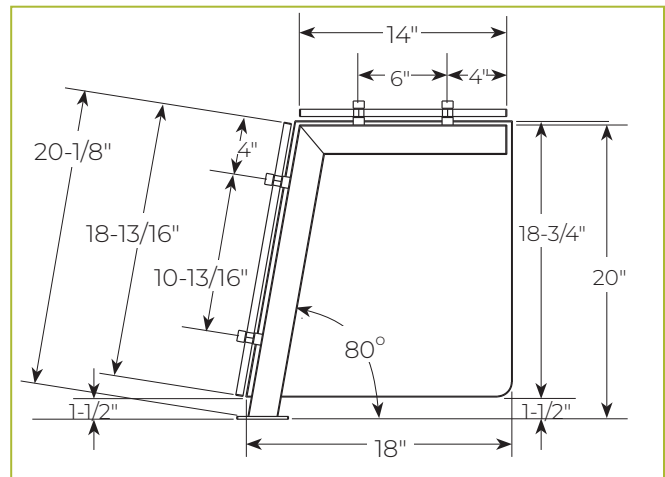
- | | |
|---|---|
| <input type="checkbox"/> 1/2" Tempered Glass | <input type="checkbox"/> 3/8" Tempered Glass |
| <input type="checkbox"/> #8 Mirror Polished Brass | |
| <input type="checkbox"/> Stainless: | <input type="checkbox"/> #4 Brushed <input type="checkbox"/> #8 Mirror Polished |
| <input type="checkbox"/> Powder Coated | Color _____ |
| <input type="checkbox"/> Solid Surface | Material _____ |

INSTALLATION OPTIONS

- Above-Counter:** Square/Rectangle Tube
- Under-Counter:** Square/Rectangle Tube

See installation pages for more information.

DECO-333-N Operator-Serve Food Shield



To meet NSF guidelines, end panels are included on all BSI quotations unless specifically excluded.

Ships fully assembled.

LIGHT AND WARMER OPTIONS

- 2580 Slimline LED Light
- 790 Stealth Warmer Unit
- 705 Stealth Light/Warmer Combo Unit
- 500 Stealth Heat/Light/Heat Combo Unit

Structural enhancements or mounting might be required to support heat light options.